

# 2500 series



www.martekpower.com

## Single, Dual, Triple Output DC/DC Converter



### DESCRIPTIONS

The 2500 series is a family of compact 25W, high performance DC/DC converters which offer a wide variety of standard input/output voltage combinations. The 2100 series operate over 2:1 input ranges of 9 to 18, 18 to 36 or 36 to 72 VDC; providing single, dual or triple output combinations of 5, 6, 12, 15,  $\pm 5$ ,  $\pm 12$ ,  $\pm 15$ ,  $5 \pm 12$  and  $5 \pm 15$  VDC. All models have been approved to UL 1950 and CSA 22.2 safety standards. Optional features allow these converters to be connected in a cascaded configuration (to extend the input voltage range from 2:1), or parallel operation.

### OUTPUT CHARACTERISTICS

	Min	Typ	Max	Unit/Comments
Output Voltage Accuracy				
Single & Dual Outputs			$\pm 1.0$	% <sup>1</sup>
Triple Outputs - Primary			$\pm 1.0$	% <sup>1</sup>
- Auxiliaries			$\pm 5.0$	% <sup>1</sup>
Output Voltage Adjustment			$\pm 5.0$	% <sup>1</sup>
Voltage Balance:				
Dual Outputs	$\pm 0.5$	$\pm 1.0$		%; Equal Output Loads
Triple Outputs (Auxiliaries)	$\pm 50$	$\pm 100$		mV; Equal Output Loads
Minimum Load			10%	Full Load
Line Regulation				
Single Outputs	$\pm 0.2$	$\pm 0.5$		% <sup>2</sup>
Dual Outputs	$\pm 0.4$	$\pm 1.0$		% <sup>2</sup>
Triple Outputs - Primary	$\pm 0.2$	$\pm 0.5$		% <sup>2</sup>
- Auxiliaries	$\pm 1.0$	$\pm 5.0$		% <sup>2</sup>
Load Regulation				
Single Outputs			$\pm 0.5$	% <sup>3</sup>
Dual Outputs	$\pm 0.5$	$\pm 1.0$		% <sup>3</sup> ; Equal Loads
Triple Outputs - Primary	$\pm 0.5$	$\pm 1.0$		% <sup>3</sup>
- Auxiliaries			$\pm 5.0$	% <sup>3</sup> ; Equal Loads
Ripple/Noise				
5V Outputs		75		mV; p-p, Nom.Line FL, 20Mhz B.W. using 1 $\mu$ f bypass capacitor
12V and 15V Outputs		1		% of Vout
Short Circuit Protection				Continuous, Automatic Recovery
Temperature Coefficient		$\pm 0.02$		% per °C
Over Voltage Protection				See Model Selection Guide

### FEATURES

- 6 sided Continuous Shielding
- Synchronization and Output Trim
- Efficiency to 86%
- Wide 2:1 Input Voltage Range
- Input Pi Filter
- UL 1950 Approved
- CSA 22.2 Approved

### INPUT CHARACTERISTICS

	Min	Typ	Max	Unit/Comments
Input Voltage Range				
12 VDC Input Models	9	12	18	VDC
24 VDC Input Models	18	24	36	VDC
48 VDC Input Models	36	48	72	VDC
Over Voltage Shutdown				
12 VDC Input Models		20		VDC
24 VDC Input Models		40		VDC
48 VDC Input Models		74		VDC
Remote On / OFF Control				
Supply ON				5.5 VDC or Open Circuit
Supply OFF				0 VDC to 0.8 VDC
Logic Referenced to Negative Input				
Reverse Polarity Input Current			12	Amp
Input Filter				Pi Filter
Input Fuse Rating				See Model Selection Guide

### GENERAL CHARACTERISTICS

	Min	Typ	Max	Unit/Comments
Switching Frequency	100			kHz
Isolation Voltage	500			VDC, 1 minute
Isolation Resistance	1000			Mohm, 500VDC
MTBF (MIL-HBK-217F)	700			Thousand Hours, +25°C, Ground Benign

<sup>1</sup> = Output voltage at nominal line & FL

<sup>2</sup> = Output voltage measured from minimum input line to maximum

<sup>3</sup> = Output voltage measured from FL to 10% Load

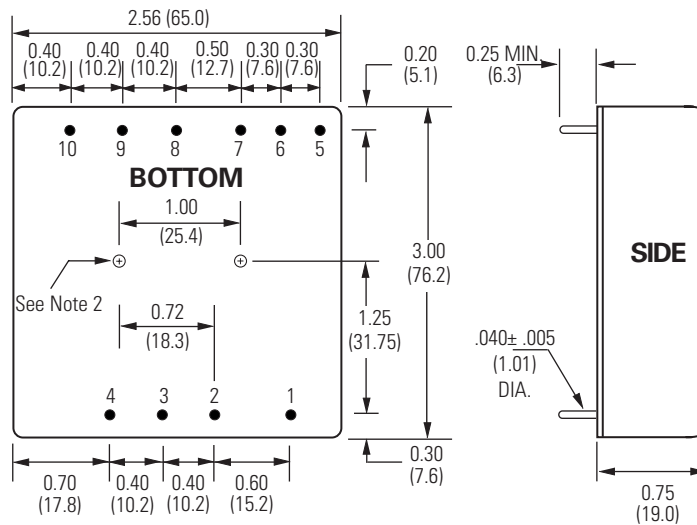
## ENVIRONMENTAL SPECIFICATIONS

	Min	Typ	Max	Unit/Comments
Operating Temp. Range	-40		+75	°C; Ambient
Storage Temp. Range	-40		+125	°C
Relative Humidity			95	% Humidity; non-condensing
Cooling				Free-Air Convection

## PHYSICAL CHARACTERISTICS

	Unit/Comments
Case Size	2.56 X 3.0 X 0.75 inches (65.0 X 76.2 X 19.0 mm)
Case Material	Coated Metal with Non-Conductive Base
Shield Connection	
12V and 24V Input Models	Negative Input, Pin 3
48V Input Models	Positive Input, Pin 2
Flammability	UL94V-0
Weight	227 Grams

## OUTLINE DRAWING



## PIN OUT CHART

Pin	Single	Dual	Triple
1	Remote On/Off	Remote On/Off	Remote On/Off
2	+ Vin	+ Vin	+ Vin
3	- Vin	- Vin	- Vin
4	Sync	Sync	Sync
5	+Sense/Trim(Down)*	+ Vout	+ Vout (Aux)
6	Output Trim	Common	Common(Aux)
7	- Sense/Trim(Up)*	- Vout	- Vout (Aux)
8	+ Vout*	Output Trim	+5V Vout
9	- Vout*	No Pin	- 5V Vout
10	No Pin	No Pin	Output Trim

\* Connections for single output models without sensing or external trimming:  
 For proper operation, externally connect Pin 5 (+Sense) to Pin 8 (+Vout) and Pin 7 (-Sense) to Pin 9 (-Vout)

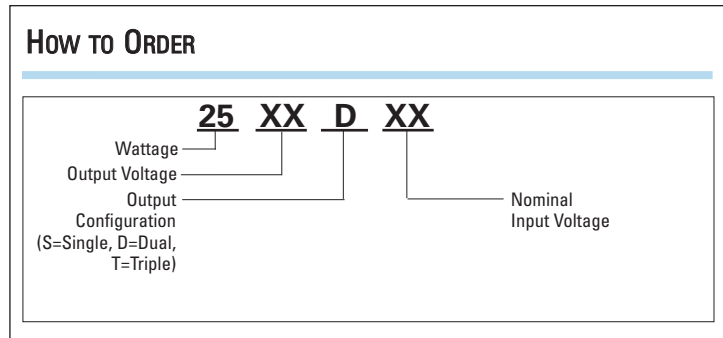
### Notes:

- Unless otherwise specified dimensions are in inches (mm).  

Tolerances	Inches	mm
	X.XX = ±0.02	X.X = ±0.5
	X.XXX = ±0.010	X.XX = ±0.25
- Mounting inserts: 4-40 X .10 (2.5) Deep

All specifications are typical at nominal input, nominal load and 25° C unless otherwise specified.  
 External, low ESR, 10 microfarad (minimum) capacitor across input is recommended for operation.

## How To ORDER



## MODEL SELECTION CHART

Model	Nominal Input Voltage (VDC)	Output Voltage (VDC)	Full Load Output Current (mA)	No Load Input Current (mA)	Full Load Input Current (mA)	Output Over Voltage (VDC)	Fuse (A)	Efficiency @ FL (%)
2505S12	12	5	5000	60	2750	6.5	5.0	76
2506S12	12	6	4000	60	2700	7.5	5.0	74
2512S12	12	12	2000	60	2670	15.0	5.0	75
2515S12	12	15	1650	60	2700	18.0	5.0	74
2505D12	12	±5	±2500	60	2770	±6.5	5.0	75
2512D12	12	±12	±1000	60	2670	±15.0	5.0	75
2515D12	12	±15	±800	60	2670	±18.0	5.0	75
2505S24	24	5	5000	40	1300	6.5	2.5	80
2506S24	24	6	4000	40	1250	7.5	2.5	80
2512S24	24	12	2000	40	1280	15.0	2.5	78
2515S24	24	15	1600	40	1280	18.0	2.5	78
2505D24	24	±5	±2500	40	1330	±6.5	2.5	78
2512D24	24	±12	±1000	40	1280	±15.0	2.5	78
2515D24	24	±15	±800	40	1280	±18.0	2.5	78
2505S48	48	5	5000	20	630	6.5	1.5	83
2506S48	48	6	4000	20	590	7.5	1.5	85
2512S48	48	12	2000	20	625	15.0	1.5	80
2515S48	48	15	1600	20	640	18.0	1.5	78
2505D48	48	±5	±2500	20	650	±6.5	1.5	80
2512D48	48	±12	±1000	20	625	±15.0	1.5	80
2515D48	48	±15	±800	20	625	±18.0	1.5	80
2505/12T12	12	5, ±12	2500, ±520	60	2770	6.5, ±15.0	5.0	75
2505/15T12	12	5, ±15	2500, ±415	60	2770	6.5, ±18.0	5.0	75
2505/12T24	24	5, ±12	2500, ±520	40	1300	6.5, ±15.0	2.5	80
2505/15T24	24	5, ±15	2500, ±415	40	1300	6.5, ±18.0	2.5	80
2505/12T48	48	5, ±12	2500, ±520	20	640	6.5, ±15.0	1.5	81
2505/15T48	48	5, ±15	2500, ±415	20	640	6.5, ±18.0	1.5	81